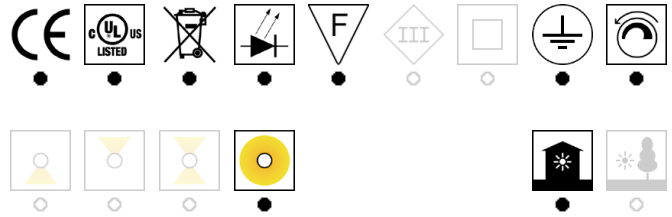


CIRCUS round vertical S500 v2 1-10V 100-277V

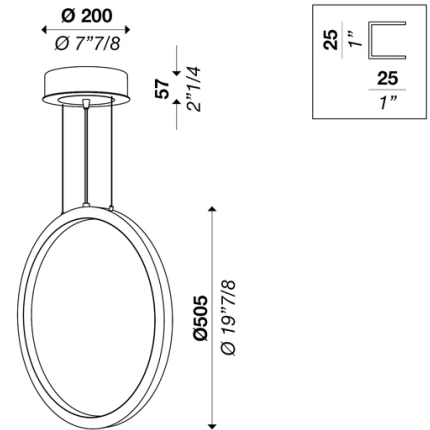
ver. 20200804_Rev_1

year: 2022
code: 2730372S20100
type: hanging lamp
application: indoor



Technical drawing

Size ref. image mm - inch



Technical data

Light source	LED
Circuit structure	LED strip
Light emission direction	diffused
Power	37 W
Source lumens	4625 lm
Source efficacy	125 lm/W
Energy class	E
Delivered lumens	3255 lm
Secondary	24 V
Colour temperature	3000 K / variants page 2
Colour rendering index	90 CRI / variants page 2
Standard Deviation of Colour Matching	3 SDCM
Safety class	I
Degree of protection	IP 20
Direct mounting on normally flammable surfaces	●
Operating temperature	+10° / +40°
CE	●
UL	●

Optional

Emergency mode	○
Motion sensor	○
Directional	○

Packing

Net weight	
Packaging 1	L610 x W610 x h19 mm / 4.9 kg
Packaging 2	
Packaging 3	
Packaging 4	
Packaging 5	

Structure

Material	aluminium
Finish	white / variants page 2

Diffuser

Material	polycarbonate
Finish	opal / variants page 2

Canopy

Size	200 mm - 7" 7/8 inch
Height	57 mm - 2" 1/4 inch
Ceiling mount	perpendicular / variants page 2

Electronics / Driver

Included	Yes
Quantity	1
Voltage	100-277V 50/60 Hz

Dimmable



Hanging cables

Stainless steel cables standard length (custom available)	2000 mm / 78" 3/4
Electric cable standard length (custom available)	2500 mm/100"

Warranty

Duration	2 years
----------	---------

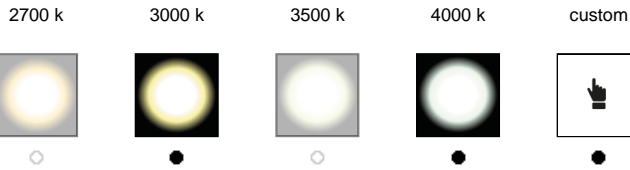
CIRCUS round vertical S500 v2 1-10V 100-277V

ver. 20200804_Rev_1

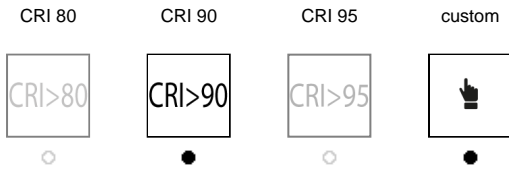
year: **2022**
code: **2730372S20100**
type: **hanging lamp**
application: **indoor**

Available variants

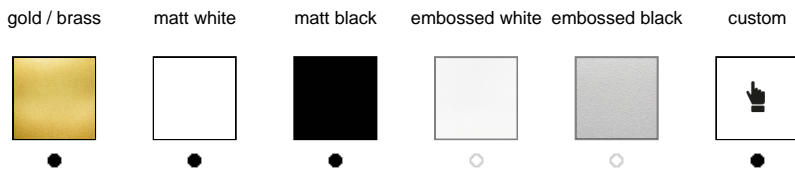
Colour temperature



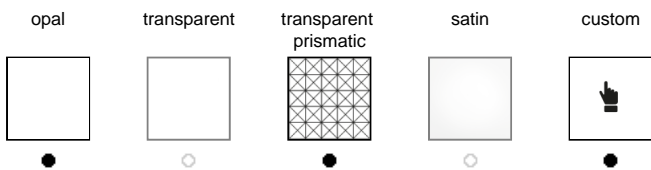
Colour rendering index



Structure finish



Diffuser / Optical



Ceiling Mount

