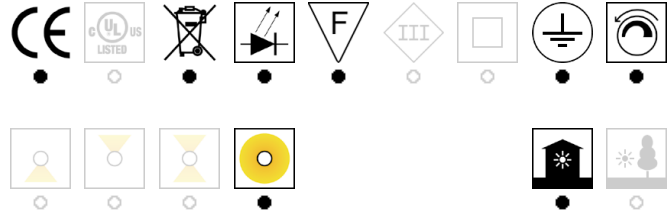


CIRCUS multiround v2 1-10V 100-277V

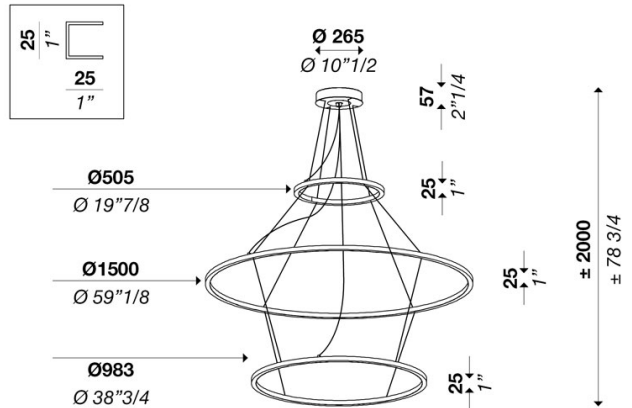
ver. 20200404_Rev_0

year: **2015**
code: **2730340S20000**
type: **hanging lamp**
application: **indoor**



Technical drawing

Size ref. image mm - inch



Technical data	
Light source	LED
Circuit structure	LED strip
Light emission direction	diffused
Power	219 W
Source lumens	30660 lm
Source efficacy	140 lm/W
Consumption	247 W
Delivered lumens	20340 lm
Luminaire efficacy	82 lm/W
Secondary	24 V
Colour temperature	3000 K / variants page 2
Colour rendering index	80 CRI / variants page 2
Standard Deviation of Colour Matching	3 SDCM
Energy class	A
Safety class	I
Degree of protection	IP 20
Direct mounting on normally flammable surfaces	●
Operating temperature	+10° / +40°
CE	●
UL	○
Optional	
Emergency mode	○
Motion sensor	○
Directional	○
Packing	
Net weight	
Packaging 1	L4200 x W4200 x H230 mm / 3.60 kg
Packaging 2	L1610 x W1640 x H150 mm / 11.80 kg
Packaging 3	
Packaging 4	
Packaging 5	

Structure						
Material	aluminium					
Finish	white / variants page 2					
Diffuser						
Material	polycarbonate					
Finish	opal / variants page 2					
Canopy						
Diameter (\varnothing)	265 mm - 10" 1/2 inch					
Height	57 mm - 2" 1/4 inch					
Ceiling mount	conical / variants page 2					
Electronics / Driver						
Included	Yes					
Quantity	2					
Voltage	100-277V 50/60 Hz					
Dimmable						
ON/OFF	PUSH	0-10V	1-10V	CUT PHASE	Bluetooth	DALI
○	○	○	●	○	○	○
Hanging cables						
Stainless steel cables standard length (custom available)	2000 mm / 78" 3/4					
Electric cable standard length (custom available)	2500 mm/100"					
Warranty						
Duration	2 years					

CIRCUS multiround v2 1-10V 100-277V

ver. 20200404_Rev_0

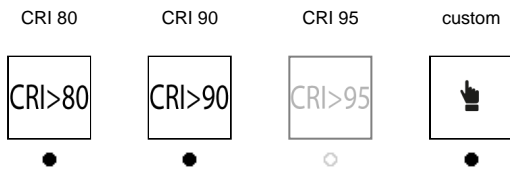
year: **2015**
code: **2730340S20000**
type: **hanging lamp**
application: **indoor**

Available variants

Colour temperature



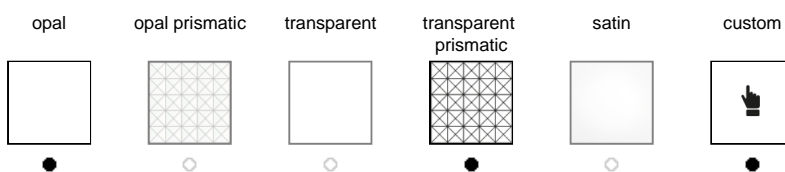
Colour rendering index



Structure finish



Diffuser / Optical



Ceiling Mount

