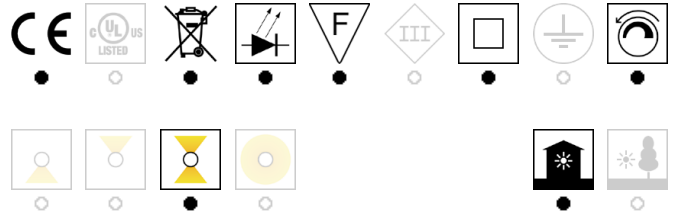


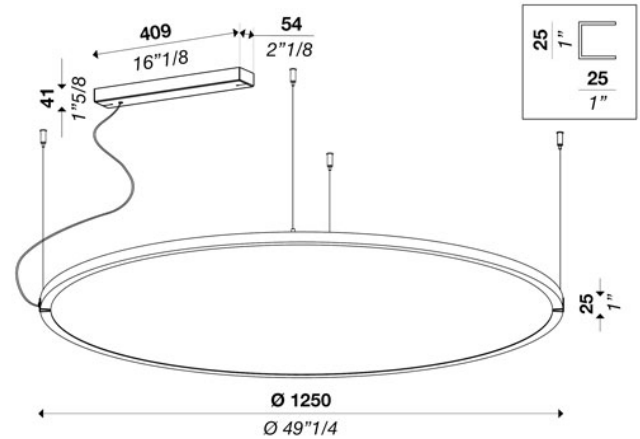
LUNA S1250 HORIZONTAL UP-DOWN DALI 220V

ver. 20200404_Rev_0

year: **2021**
code: **2670309E10000**
type: **hanging lamp**
application: **indoor**



Technical drawing
Size ref. image mm - inch



Technical data

Light source	LED
Circuit structure	LED strip
Light emission direction	up-down
Power	78 W
Source lumens	10920 lm
Source efficacy	140 lm/W
Consumption	84 W
Delivered lumens	
Luminaire efficacy	lm/W
Secondary	24 V
Colour temperature	3000 K / variants page 2
Colour rendering index	80 CRI / variants page 2
Standard Deviation of Colour Matching	3 SDCM
Energy class	A
Safety class	II
Degree of protection	IP 20
Direct mounting on normally flammable surfaces	●
Operating temperature	+10° / +40°
CE	●
UL	○
Optional	
Emergency mode	○
Motion sensor	○
Directional	○

Packing

Net weight	
Packaging 1	
Packaging 2	
Packaging 3	
Packaging 4	
Packaging 5	

Structure

Material	aluminium
Finish	white / variants page 2

Diffuser

Material	polymer stretch
Finish	opal / variants page 2

Electronics / Driver

Included	Yes
Quantity	1
Voltage	220-240V 50/60 Hz

Dimmable



Hanging cables

Stainless steel cables standard length (custom available)	2000 mm / 78" 3/4
Electric cable standard length (custom available)	2500 mm/100"

Warranty

Duration	2 years
----------	---------

LUNA S1250 HORIZONTAL UP-DOWN DALI 220V

ver. 20200404_Rev_0

year: **2021**
code: **2670309E10000**
type: **hanging lamp**
application: **indoor**

Available variants

Colour temperature

2700 k 3000 k 3500 k 4000 k custom



Colour rendering index

CRI 80 CRI 90 CRI 95 custom



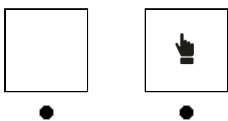
Structure finish

gold / brass matt white matt black embossed white embossed black custom



Diffuser / Optical

opal custom



Ceiling Mount

perpendicular remote driver custom

