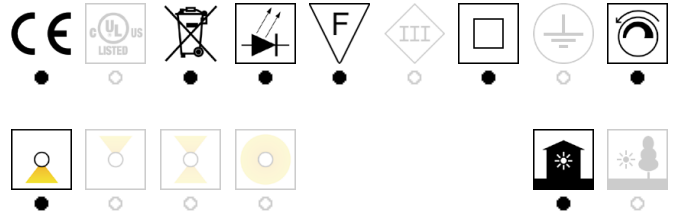


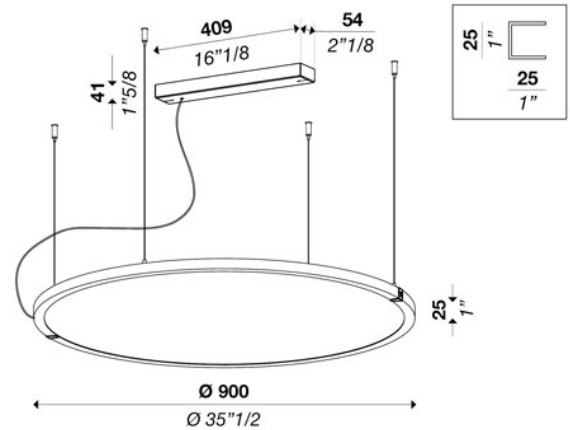
# LUNA S900 HORIZONTAL DOWNWARD 0-10V 110V

ver. 20200404\_Rev\_0

year: **2021**  
code: **2670301A10000**  
type: **hanging lamp**  
application: **indoor**



**Technical drawing**  
Size \_\_\_\_\_ ref. image mm - inch



**Technical data**

Light source	LED
Circuit structure	LED strip
Light emission direction	downward
Power	69 W
Source lumens	9660 lm
Source efficacy	140 lm/W
Consumption	74 W
Delivered lumens	6406 lm
Luminaire efficacy	87 lm/W
Secondary	24 V
Colour temperature	3000 K / variants page 2
Colour rendering index	80 CRI / variants page 2
Standard Deviation of Colour Matching	3 SDCM
Energy class	A
Safety class	II
Degree of protection	IP 20
Direct mounting on normally flammable surfaces	●
Operating temperature	+10° / +40°
CE	●
UL	○
<b>Optional</b>	
Emergency mode	○
Motion sensor	○
Directional	○

**Packing**

Net weight	
Packaging 1	
Packaging 2	
Packaging 3	
Packaging 4	
Packaging 5	

**Structure**

Material	aluminium
Finish	white / variants page 2

**Diffuser**

Material	polymer stretch
Finish	opal / variants page 2

**Electronics / Driver**

Included	Yes
Quantity	1
Voltage	100-120V 60 Hz

**Dimmable**



**Hanging cables**

Stainless steel cables standard length (custom available)	2000 mm / 78" 3/4
Electric cable standard length (custom available)	2500 mm/100"

**Warranty**

Duration	2 years
----------	---------

# LUNA S900 HORIZONTAL DOWNWARD 0-10V 110V

ver. 20200404\_Rev\_0

year: **2021**  
code: **2670301A10000**  
type: **hanging lamp**  
application: **indoor**

## Available variants

### Colour temperature

2700 k    3000 k    3500 k    4000 k    custom



### Colour rendering index

CRI 80    CRI 90    CRI 95    custom



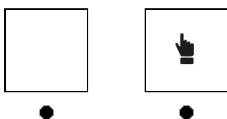
### Structure finish

gold / brass    matt white    matt black    embossed white    embossed black    custom



### Diffuser / Optical

opal    custom



### Ceiling Mount

perpendicular    remote driver    custom

