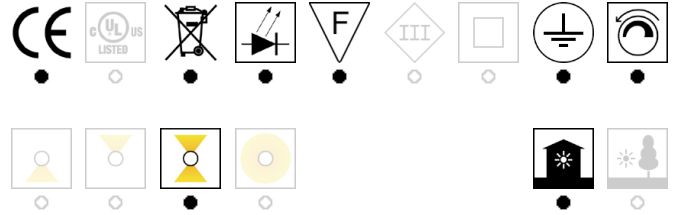


DUPLO S1180 0-10V 100-277V

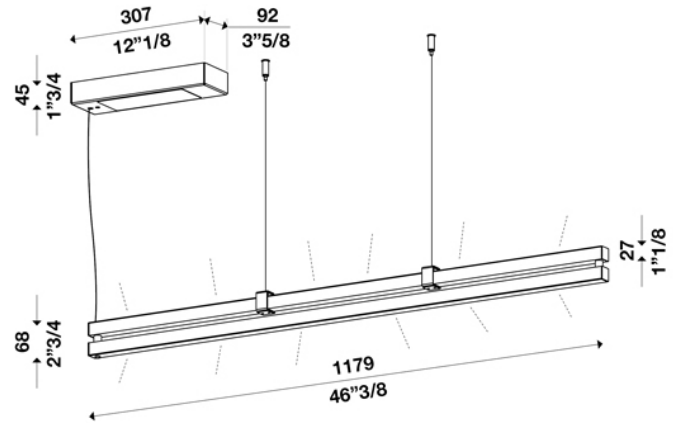
ver. 20200404_Rev_0

year: **2020**
code: **2360312U20000**
type: **hanging lamp**
application: **indoor**



Technical drawing

Size ref. image mm - inch



Technical data

Light source	LED
Circuit structure	LED strip
Light emission direction	up-down
Power	43 W
Source lumens	5818 lm
Source efficacy	135 lm/W
Consumption	45 W
Delivered lumens	2205 lm
Luminaire efficacy	49 lm/W
Secondary	24 V
Colour temperature	3000 K / variants page 2
Colour rendering index	80 CRI / variants page 2
Standard Deviation of Colour Matching	3 SDCM
Energy class	A
Safety class	I
Degree of protection	IP 20
Direct mounting on normally flammable surfaces	●
Operating temperature	+10° / +40°
CE	●
UL	○

Optional

Emergency mode	○
Motion sensor	○
Directional	○

Packing

Net weight	
Packaging 1	
Packaging 2	
Packaging 3	
Packaging 4	
Packaging 5	

Structure

Material	aluminium
Finish	white / variants page 2

Diffuser

Material	polycarbonate
Finish	opal / variants page 2

Canopy

Diameter (Ø)	307 x 92 mm - 12" 1/8 x 3" 5/8 inch
Height	45 mm - 1" 3/4 inch
Ceiling mount	perpendicular / variants page 2

Electronics / Driver

Included	Yes
Quantity	1
Voltage	100-277V 50/60 Hz

Dimmable



Hanging cables

Stainless steel cables standard length (custom available)	2000 mm / 78" 3/4
Electric cable standard length (custom available)	2500 mm/100"

Warranty

Duration	2 years
----------	---------

DUPLO S1180 0-10V 100-277V

ver. 20200404_Rev_0

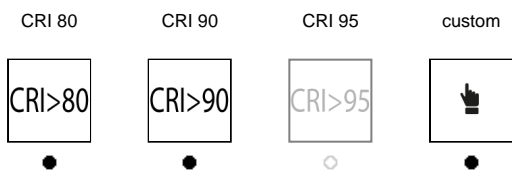
year: **2020**
code: **2360312U20000**
type: **hanging lamp**
application: **indoor**

Available variants

Colour temperature



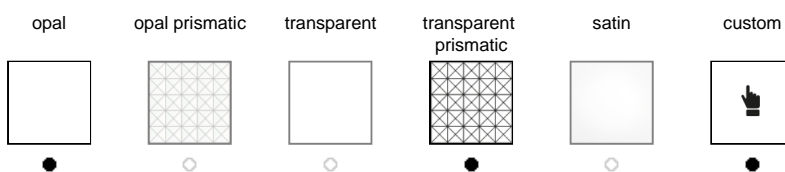
Colour rendering index



Structure finish



Diffuser / Optical



Ceiling Mount

