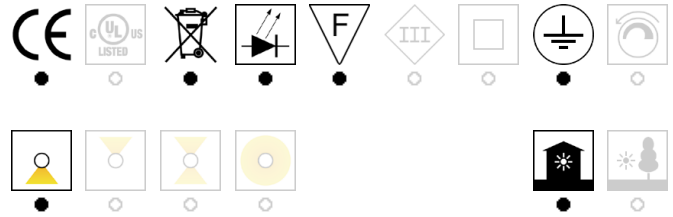


# KLOKKE S500 ON-OFF 110V

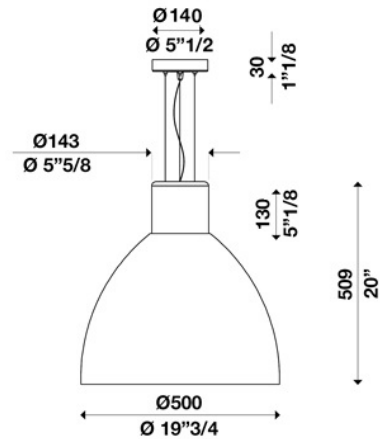
ver. 20200404\_Rev\_0

year: 2018  
code: 2270305A00000  
type: hanging lamp  
application: indoor



### Technical drawing

Size ref. image mm - inch



### Technical data

Light source	LED
Circuit structure	LED module G4
Light emission direction	downward
Power	43 W
Source lumens	7000 lm
Source efficacy	163 lm/W
Consumption	47 W
Delivered lumens	2208 lm
Luminaire efficacy	47 lm/W
Secondary	1200mA
Colour temperature	3000 K / variants page 2
Colour rendering index	80 CRI / variants page 2
Standard Deviation of Colour Matching	3 SDCM
Energy class	A
Safety class	I
Degree of protection	IP 20
Direct mounting on normally flammable surfaces	●
Operating temperature	+10° / +40°
CE	●
UL	○

### Optional

Emergency mode	○
Motion sensor	○
Directional	○

### Packing

Net weight	5.5 Kg
Packaging 1	630 x 630 x 630 mm / 9.1 kg
Packaging 2	
Packaging 3	
Packaging 4	
Packaging 5	

### Structure

Material	aluminium
Finish	white / variants page 2

### Diffuser

Material	polycarbonate
Finish	opal / variants page 2

### Canopy

Diameter ( Ø )	140 mm - 5" 1/2 inch
Height	30 mm - 1" 1/8 inch
Ceiling mount	perpendicular / variants page 2

### Electronics / Driver

Included	Yes
Quantity	1
Voltage	100-277V 50/60 Hz

### Dimmable



### Hanging cables

Stainless steel cables standard length (custom available)	2000 mm / 78" 3/4
Electric cable standard length (custom available)	2500 mm/100"

### Warranty

Duration	2 years
----------	---------

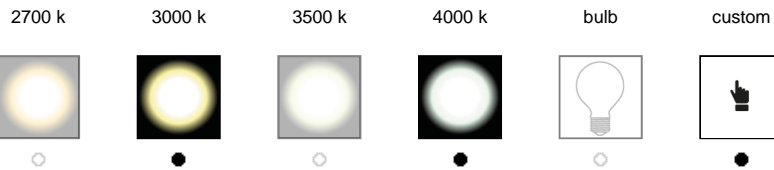
# KLOKKE S500 ON-OFF 110V

ver. 20200404\_Rev\_0

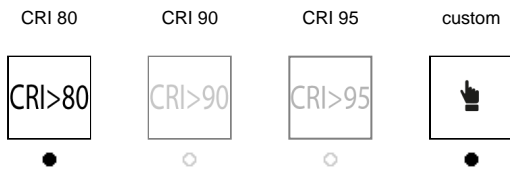
year: **2018**  
code: **2270305A00000**  
type: **hanging lamp**  
application: **indoor**

## Available variants

### Colour temperature



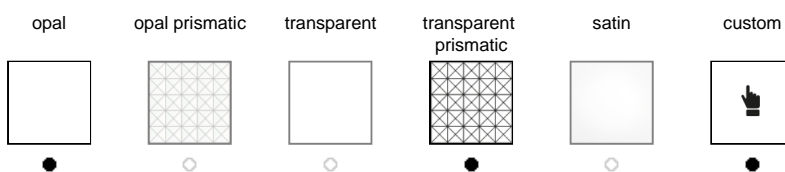
### Colour rendering index



### Structure finish



### Diffuser / Optical



### Ceiling Mount

