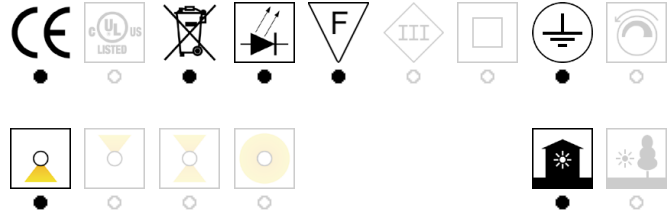


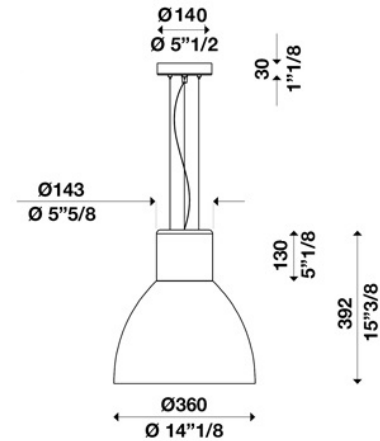
KLOKKE S350 ON-OFF 110V

ver. 20200404_Rev_0

year: 2018
code: 2270303A00000
type: hanging lamp
application: indoor



Technical drawing
Size ref. image mm - inch



Technical data

Light source	LED
Circuit structure	LED module G4
Light emission direction	downward
Power	41 W
Source lumens	7000 lm
Source efficacy	171 lm/W
Consumption	45 W
Delivered lumens	3056 lm
Luminaire efficacy	68 lm/W
Secondary	1200mA
Colour temperature	3000 K / variants page 2
Colour rendering index	80 CRI / variants page 2
Standard Deviation of Colour Matching	3 SDCM
Energy class	A
Safety class	I
Degree of protection	IP 20
Direct mounting on normally flammable surfaces	●
Operating temperature	+10° / +40°
CE	●
UL	○

Optional

Emergency mode	○
Motion sensor	○
Directional	○

Packing

Net weight	3.5 Kg
Packaging 1	460 x 460 x 460 mm / 5 kg
Packaging 2	
Packaging 3	
Packaging 4	
Packaging 5	

Structure

Material	aluminium
Finish	white / variants page 2

Diffuser

Material	polycarbonate
Finish	opal / variants page 2

Canopy

Diameter (Ø)	140 mm - 5" 1/2 inch
Height	30 mm - 1" 1/8 inch
Ceiling mount	perpendicular / variants page 2

Electronics / Driver

Included	Yes
Quantity	1
Voltage	100-240V 50/60 Hz

Dimmable



Hanging cables

Stainless steel cables standard length (custom available)	2000 mm / 78" 3/4
Electric cable standard length (custom available)	2500 mm/100"

Warranty

Duration	2 years
----------	---------

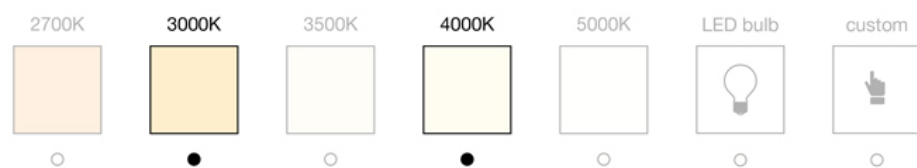
KLOKKE S350 ON-OFF 110V

ver. 20200404_Rev_0

year: **2018**
code: **2270303A00000**
type: **hanging lamp**
application: **indoor**

Available versions

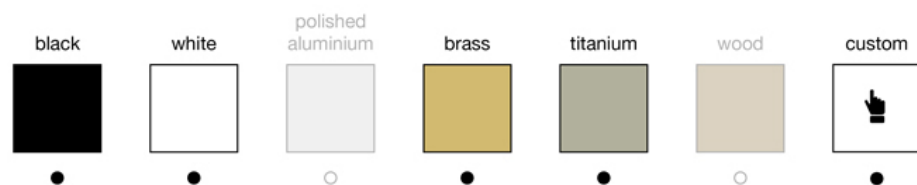
Colour temperature



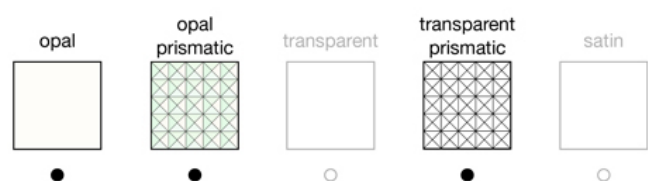
Colour rendering index



Structure finish



Diffuser finish



Ceiling mount

