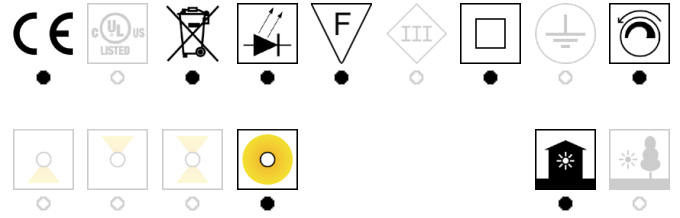


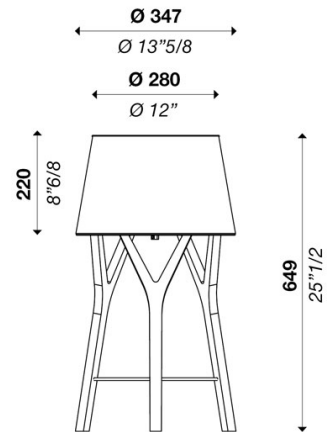
TRE T670 DIMMER 220V

ver. 20200404_Rev_0

year: **2014**
code: **1740401E75603**
type: **table lamp**
application: **indoor**



Technical drawing
Size ref. image mm - inch



Technical data

Light source	LED bulb
Circuit structure	LED bulb
Light emission direction	diffused
Power	1x MAX 20W E27
Source lumens	-
Source efficacy	-
Consumption	-
Delivered lumens	-
Luminaire efficacy	-
Secondary	-
Colour temperature	-
Colour rendering index	-
Standard Deviation of Colour Matching	-
Energy class	A
Safety class	II
Degree of protection	IP 20
Direct mounting on normally flammable surfaces	●
Operating temperature	+10° / +40°
CE	●
UL	○

Optional

Emergency mode	○
Motion sensor	○
Directional	○

Packing

Net weight	
Packaging 1	L510 x W420 x H720 mm / 5.5 kg
Packaging 2	
Packaging 3	
Packaging 4	
Packaging 5	

Structure

Material	wood
Finish	canaletto walnut / variants page 2

Diffuser

Material	
Finish	

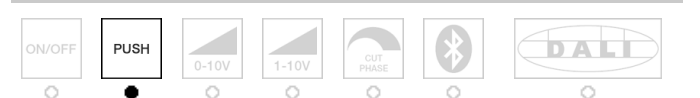
Lampshade

Material	fabric + polycarbonate
Finish	black outside / variants page 2

Electronics / Driver

Included	No
Quantity	
Voltage	220-240V 50/60 Hz

Dimmable



Hanging cables

Stainless steel cables standard length (custom available)	○
Electric cable standard length (custom available)	-

Warranty

Duration	2 years
----------	---------

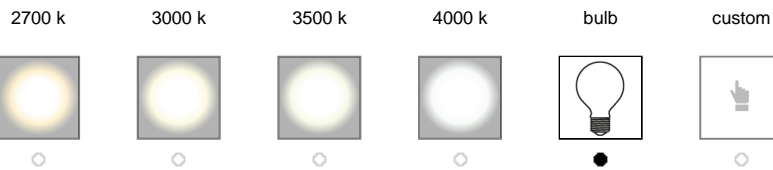
TRE T670 DIMMER 220V

ver. 20200404_Rev_0

year: **2014**
code: **1740401E75603**
type: **table lamp**
application: **indoor**

Available variants

Colour temperature



Structure finish



Secondary finish

