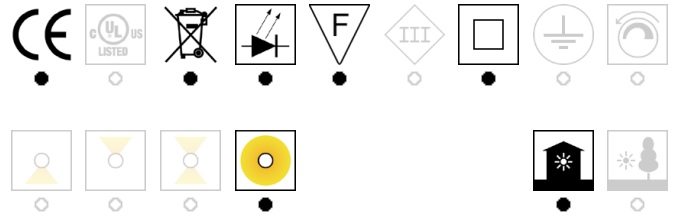


# TRE T670 ON-OFF 220V

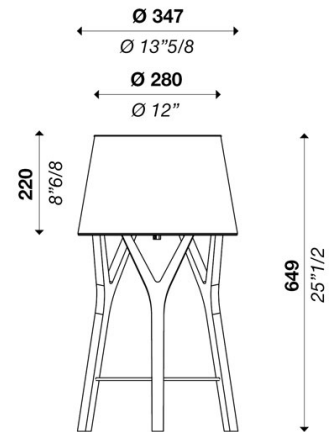
ver. 20200404\_Rev\_0

year: 2014  
code: 1740401E05603  
type: table lamp  
application: indoor



## Technical drawing

Size ref. image mm - inch



Technical data	
Light source	LED bulb
Circuit structure	LED bulb
Light emission direction	diffused
Power	1x MAX 20W E27
Source lumens	-
Source efficacy	-
Energy class	A
Delivered lumens	-
Secondary	-
Colour temperature	-
Colour rendering index	-
Standard Deviation of Colour Matching	-
Safety class	II
Degree of protection	IP 20
Direct mounting on normally flammable surfaces	●
Operating temperature	+10° / +40°
CE	●
UL	○

Optional	
Emergency mode	○
Motion sensor	○
Directional	○

Packing	
Net weight	
Packaging 1	L510 x W420 x H720 mm / 5.5 kg
Packaging 2	
Packaging 3	
Packaging 4	
Packaging 5	

Structure	
Material	wood
Finish	canaletto walnut / variants page 2

Diffuser	
Material	
Finish	

Lampshade	
Material	fabric + polycarbonate
Finish	black outside / variants page 2

Electronics / Driver	
Included	No
Quantity	
Voltage	220-240V 50/60 Hz

Dimmable	
ON/OFF	○
PUSH	○
0-10V	○
1-10V	○
CUT PHASE	○
Bluetooth	○
DALI	○

Hanging cables	
Stainless steel cables standard length (custom available)	○
Electric cable standard length (custom available)	-

Warranty	
Duration	2 years

# TRE T670 ON-OFF 220V

ver. 20200404\_Rev\_0

year: **2014**  
code: **1740401E05603**  
type: **table lamp**  
application: **indoor**

## Available variants

### Colour temperature



### Structure finish



### Secondary finish

