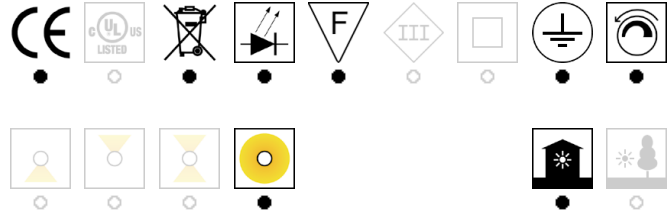


# PIN W160 0-10V 110V

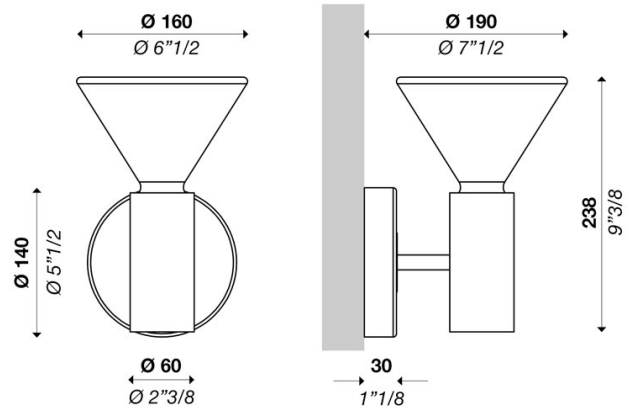
ver. 20200404\_Rev\_0

year: 2014  
code: 1710116A20000  
type: wall lamp  
application: indoor



**Technical drawing**

Size ref. image mm - inch



**Technical data**

Light source	LED
Circuit structure	LED COB G7
Light emission direction	diffused
Power	9 W
Source lumens	1406 lm
Source efficacy	155 lm/W
Consumption	12 W
Delivered lumens	916 lm
Luminaire efficacy	76 lm/W
Secondary	350mA
Colour temperature	3000 K / variants page 2
Colour rendering index	80 CRI / variants page 2
Standard Deviation of Colour Matching	3 SDCM
Energy class	A
Safety class	I
Degree of protection	IP 20
Direct mounting on normally flammable surfaces	●
Operating temperature	+10° / +40°
CE	●
UL	○

**Optional**

Emergency mode	○
Motion sensor	○
Directional	○

**Packing**

Net weight	
Packaging 1	
Packaging 2	
Packaging 3	
Packaging 4	
Packaging 5	

**Structure**

Material	aluminium
Finish	white / variants page 2

**Diffuser**

Material	glass
Finish	white

**Electronics / Driver**

Included	Yes
Quantity	1
Voltage	100-240V 50/60 Hz

**Dimmable**



**Hanging cables**

Stainless steel cables standard length (custom available)	○
Electric cable standard length (custom available)	-

**Warranty**

Duration	2 years
----------	---------

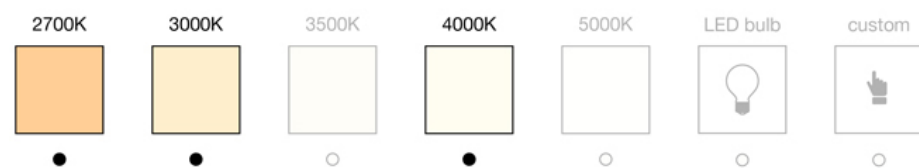
# PIN W160 0-10V 110V

ver. 20200404\_Rev\_0

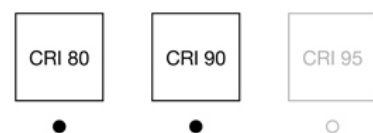
year: **2014**  
code: **1710116A20000**  
type: **wall lamp**  
application: **indoor**

## Available versions

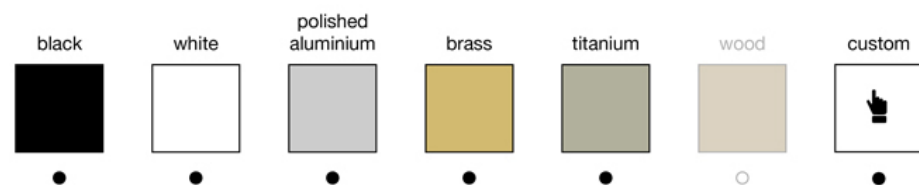
### Colour temperature



### Colour rendering index



### Structure finish



### Diffuser finish

