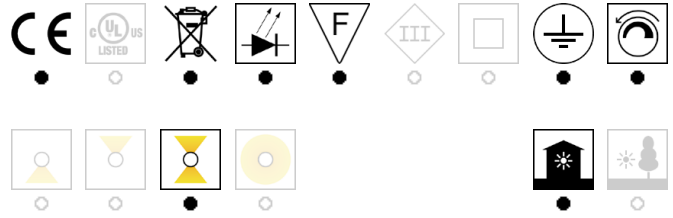


# CONE S570 up-down light 0\_1-10V 110V

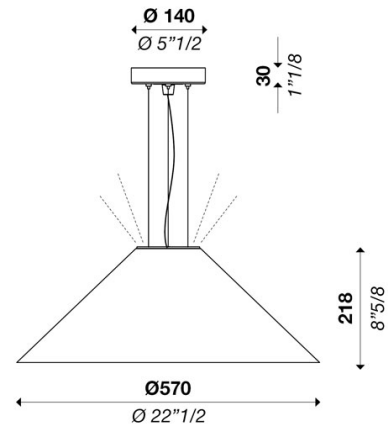
ver. 20200404\_Rev\_0

year: 2015  
code: 1700304A20000  
type: hanging lamp  
application: indoor



## Technical drawing

Size ref. image mm - inch



Technical data	
Light source	LED
Circuit structure	LED module vers.4
Light emission direction	up-down
Power	I. 4W / D.41W
Source lumens	6677 lm
Source efficacy	148 lm/W
Consumption	50 W
Delivered lumens	4608 lm
Luminaire efficacy	92 lm/W
Secondary	I.350mA / D.1200mA
Colour temperature	3000 K / variants page 2
Colour rendering index	80 CRI / variants page 2
Standard Deviation of Colour Matching	3 SDCM
Energy class	A
Safety class	I
Degree of protection	IP 20
Direct mounting on normally flammable surfaces	●
Operating temperature	+10° / +40°
CE	●
UL	○
Optional	
Emergency mode	○
Motion sensor	○
Directional	○
Packing	
Net weight	
Packaging 1	
Packaging 2	
Packaging 3	
Packaging 4	
Packaging 5	

Structure	
Material	aluminium
Finish	white / variants page 2
Diffuser	
Material	polycarbonate
Finish	opal / variants page 2
Canopy	
Diameter ( Ø )	140 mm - 5" 1/2 inch
Height	30 mm - 1" 1/8 inch
Ceiling mount	perpendicular / variants page 2

Electronics / Driver	
Included	Yes
Quantity	2
Voltage	100-240V 50/60 Hz

Dimmable	
ON/OFF	PUSH
0-10V	1-10V
CUT PHASE	Bluetooth
DALI	

Hanging cables	
Stainless steel cables standard length (custom available)	2000 mm / 78" 3/4
Electric cable standard length (custom available)	2500 mm/100"

Warranty	
Duration	2 years

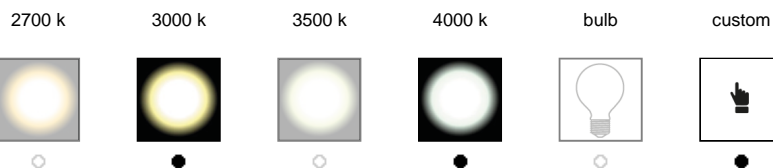
# CONE S570 up-down light 0\_1-10V 110V

ver. 20200404\_Rev\_0

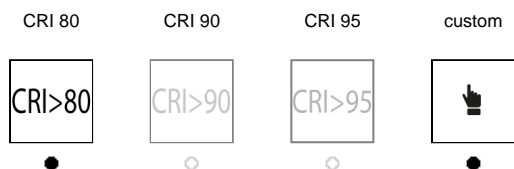
year: **2015**  
code: **1700304A20000**  
type: **hanging lamp**  
application: **indoor**

## Available variants

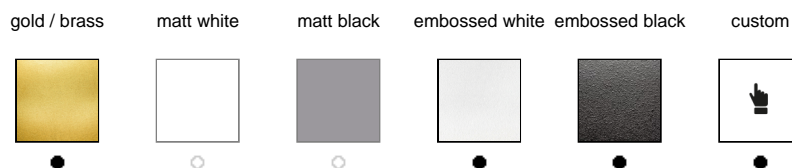
### Colour temperature



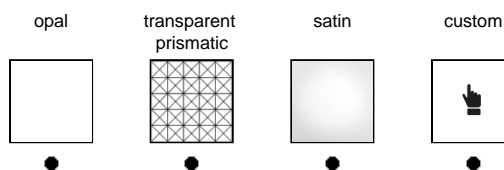
### Colour rendering index



### Structure finish



### Diffuser / Optical



### Ceiling Mount

