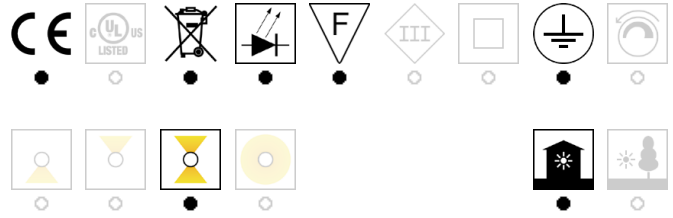


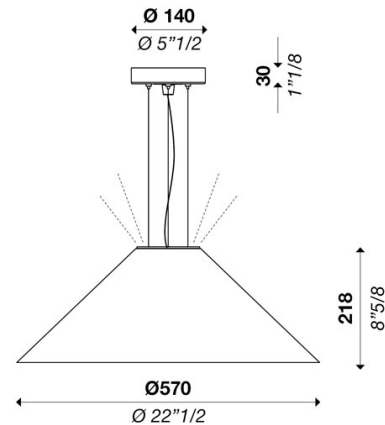
# CONE S570 up-down light ON-OFF 110V

ver. 20200404\_Rev\_0

year: 2015  
code: 1700304A00000  
type: hanging lamp  
application: indoor



**Technical drawing**  
Size ref. image mm - inch



## Technical data

Light source	LED
Circuit structure	LED module vers.4
Light emission direction	up-down
Power	I. 4W / D.41W
Source lumens	6677 lm
Source efficacy	148 lm/W
Consumption	50 W
Delivered lumens	4608 lm
Luminaire efficacy	92 lm/W
Secondary	I.350mA / D.1200mA
Colour temperature	3000 K / variants page 2
Colour rendering index	80 CRI / variants page 2
Standard Deviation of Colour Matching	3 SDCM
Energy class	A
Safety class	I
Degree of protection	IP 20
Direct mounting on normally flammable surfaces	●
Operating temperature	+10° / +40°
CE	●
UL	○

## Optional

Emergency mode	○
Motion sensor	○
Directional	○

## Packing

Net weight	
Packaging 1	
Packaging 2	
Packaging 3	
Packaging 4	
Packaging 5	

## Structure

Material	aluminium
Finish	white / variants page 2

## Diffuser

Material	polycarbonate
Finish	opal / variants page 2

## Canopy

Diameter ( Ø )	140 mm - 5" 1/2 inch
Height	30 mm - 1" 1/8 inch
Ceiling mount	perpendicular / variants page 2

## Electronics / Driver

Included	Yes
Quantity	2
Voltage	100-240V 50/60 Hz

## Dimmable



## Hanging cables

Stainless steel cables standard length (custom available)	2000 mm / 78" 3/4
Electric cable standard length (custom available)	2500 mm/100"

## Warranty

Duration	2 years
----------	---------

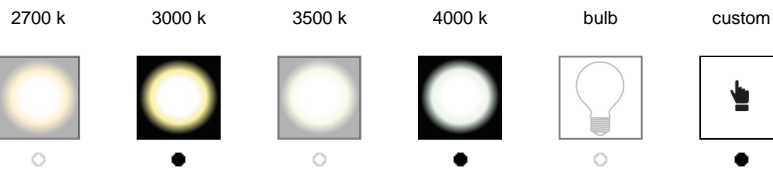
# CONE S570 up-down light ON-OFF 110V

ver. 20200404\_Rev\_0

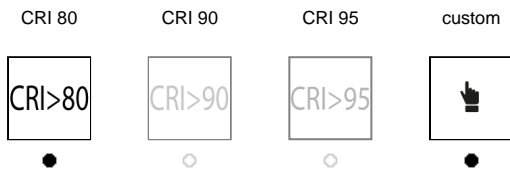
year: **2015**  
code: **1700304A00000**  
type: **hanging lamp**  
application: **indoor**

## Available variants

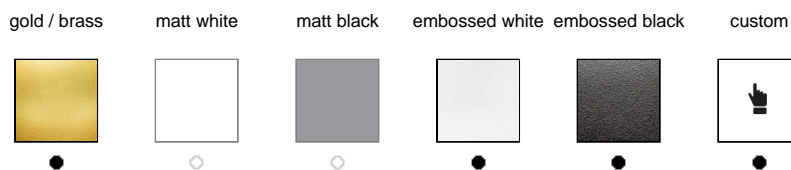
### Colour temperature



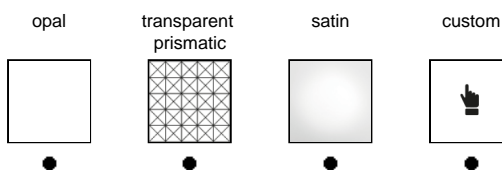
### Colour rendering index



### Structure finish



### Diffuser / Optical



### Ceiling Mount

