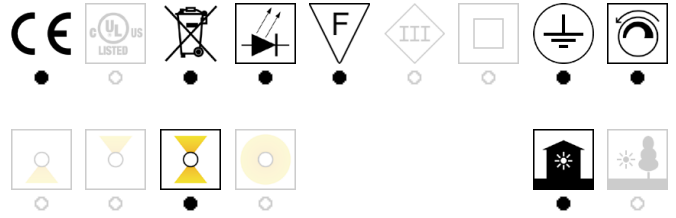


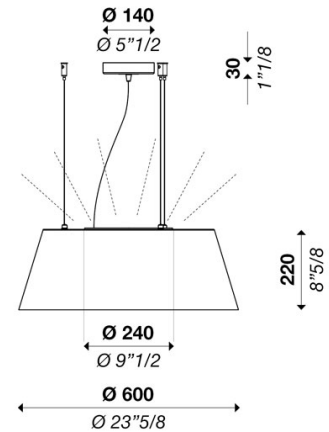
NOVA S600 up-down light 0_1-10V 110V

ver. 20200404_Rev_0

year: 2015
code: 1690310A20000
type: hanging lamp
application: indoor



Technical drawing
Size ref. image mm - inch



Technical data	
Light source	LED
Circuit structure	LED module vers.4
Light emission direction	up-down
Power	73 W
Source lumens	10920 lm
Source efficacy	156 lm/W
Consumption	81 W
Delivered lumens	
Luminaire efficacy	
Secondary	D 1200mA / 700mA
Colour temperature	3000 K / variants page 2
Colour rendering index	80 CRI / variants page 2
Standard Deviation of Colour Matching	3 SDCM
Energy class	A
Safety class	I
Degree of protection	IP 20
Direct mounting on normally flammable surfaces	●
Operating temperature	+10° / +40°
CE	●
UL	○
Optional	
Emergency mode	○
Motion sensor	○
Directional	○
Packing	
Net weight	
Packaging 1	
Packaging 2	
Packaging 3	
Packaging 4	
Packaging 5	

Structure	
Material	aluminium
Finish	white / variants page 2
Diffuser	
Material	pmma
Finish	opal / variants page 2
Canopy	
Diameter (Ø)	140 mm - 5" 1/2 inch
Height	30 mm - 1" 1/8 inch
Ceiling mount	perpendicular / variants page 2

Electronics / Driver	
Included	Yes
Quantity	2
Voltage	100-240V 50/60 Hz

Dimmable	
ON/OFF	○
PUSH	○
0-10V	●
1-10V	●
CUT PHASE	○
Bluetooth	○
DALI	○

Hanging cables	
Stainless steel cables standard length (custom available)	2000 mm / 78" 3/4
Electric cable standard length (custom available)	2500 mm/100"

Warranty	
Duration	2 years

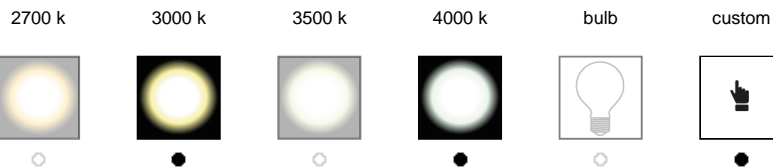
NOVA S600 up-down light 0_1-10V 110V

ver. 20200404_Rev_0

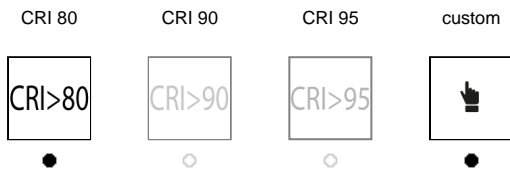
year: **2015**
code: **1690310A20000**
type: **hanging lamp**
application: **indoor**

Available variants

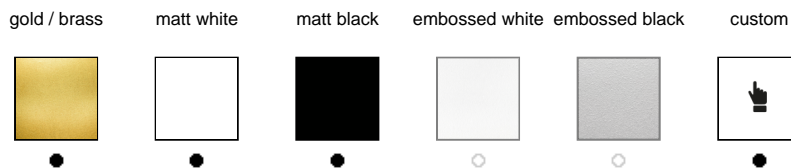
Colour temperature



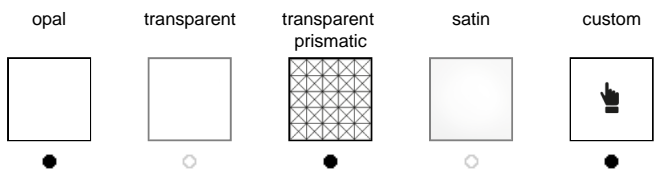
Colour rendering index



Structure finish



Diffuser / Optical



Ceiling Mount

