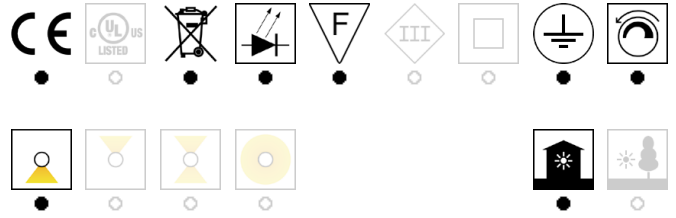


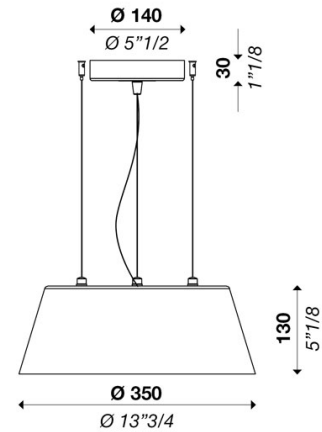
NOVA S350 0_1-10V 110V

ver. 20200404_Rev_0

year: 2015
code: 1690304A20000
type: hanging lamp
application: indoor



Technical drawing
Size ref. image mm - inch



Technical data

Light source	LED
Circuit structure	LED module vers.4
Light emission direction	downward
Power	21 W
Source lumens	3480 lm
Source efficacy	166 lm
Consumption	24 W
Delivered lumens	2210 lm
Luminaire efficacy	92 lm/W
Secondary	700mA
Colour temperature	3000 K / variants page 2
Colour rendering index	80 CRI / variants page 2
Standard Deviation of Colour Matching	3 SDCM
Energy class	A
Safety class	I
Degree of protection	IP 20
Direct mounting on normally flammable surfaces	●
Operating temperature	+10° / +40°
CE	●
UL	○
Optional	
Emergency mode	○
Motion sensor	○
Directional	○

Packing

Net weight	
Packaging 1	L430 x W430 x H230 mm / 4.2 kg
Packaging 2	
Packaging 3	
Packaging 4	
Packaging 5	

Structure

Material	aluminium
Finish	white / variants page 2

Diffuser

Material	pmma
Finish	opal / variants page 2

Canopy

Diameter (Ø)	140 mm - 5" 1/2 inch
Height	30 mm - 1" 1/8 inch
Ceiling mount	perpendicular / variants page 2

Electronics / Driver

Included	Yes
Quantity	1
Voltage	100-240V 50/60 Hz

Dimmable



Hanging cables

Stainless steel cables standard length (custom available)	2000 mm / 78" 3/4
Electric cable standard length (custom available)	2500 mm/100"

Warranty

Duration	2 years
----------	---------

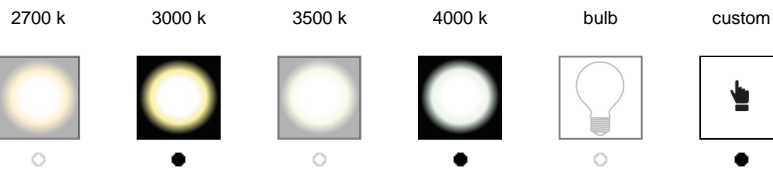
NOVA S350 0_1-10V 110V

ver. 20200404_Rev_0

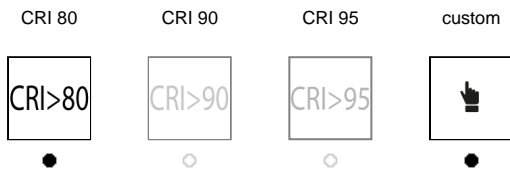
year: **2015**
code: **1690304A20000**
type: **hanging lamp**
application: **indoor**

Available variants

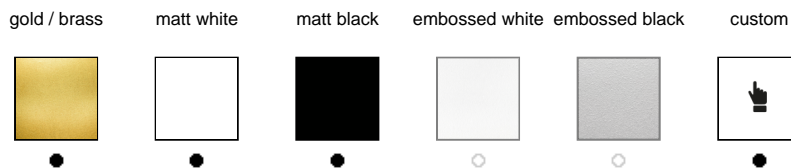
Colour temperature



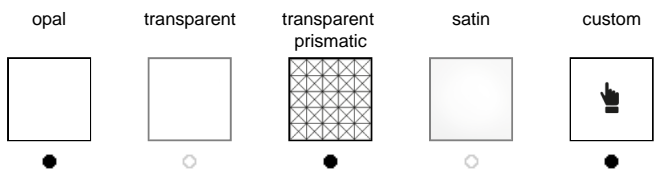
Colour rendering index



Structure finish



Diffuser / Optical



Ceiling Mount

