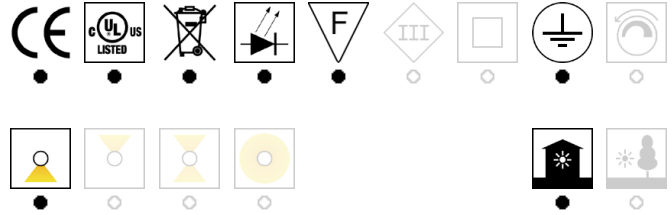


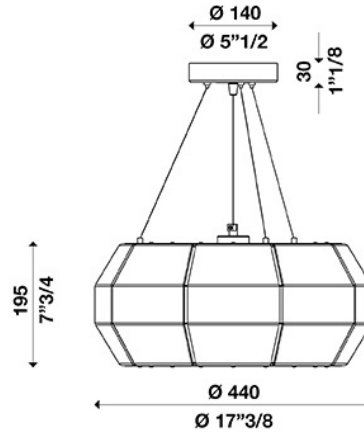
# CRISTAL S450 ON-OFF 110V

ver. 20200404\_Rev\_0

year: 2012  
code: 0690302A00601  
type: hanging lamp  
application: indoor



**Technical drawing**  
Size ref. image mm - inch



Technical data	
Light source	LED bulb
Circuit structure	LED bulb
Light emission direction	downward
Power	1x MAX 20W E26
Source lumens	
Source efficacy	
Consumption	1x MAX 20W E26
Delivered lumens	
Luminaire efficacy	
Secondary	
Colour temperature	
Colour rendering index	
Standard Deviation of Colour Matching	
Energy class	A
Safety class	I
Degree of protection	IP 20
Direct mounting on normally flammable surfaces	●
Operating temperature	+10° / +40°
CE	●
UL	●
Optional	
Emergency mode	○
Motion sensor	○
Directional	○
Packing	
Net weight	
Packaging 1	
Packaging 2	
Packaging 3	
Packaging 4	
Packaging 5	

Structure						
Material	steel					
Finish	white / variants page 2					
Diffuser						
Material						
Finish						
Canopy						
Diameter ( Ø )	140 mm - 5" 1/2 inch					
Height	30 mm - 1" 1/8 inch					
Ceiling mount	conical / variants page 2					
Lampshade						
Material	Dibond®					
Finish	white / variants page 2					
Electronics / Driver						
Included	No					
Quantity						
Voltage	100-120V 60 Hz					
Dimmable						
ON/OFF	PUSH	0-10V	1-10V	CUT PHASE	Bluetooth	DALI
●	○	○	○	○	○	○
Hanging cables						
Stainless steel cables standard length (custom available)	2000 mm / 78" 3/4					
Electric cable standard length (custom available)	2500 mm/100"					
Warranty						
Duration	2 years					

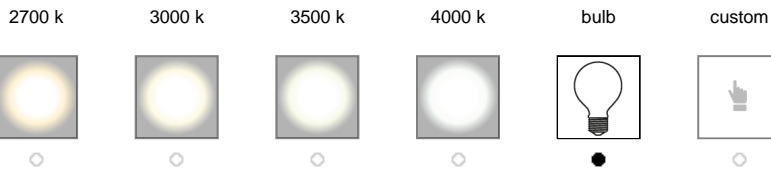
# CRISTAL S450 ON-OFF 110V

ver. 20200404\_Rev\_0

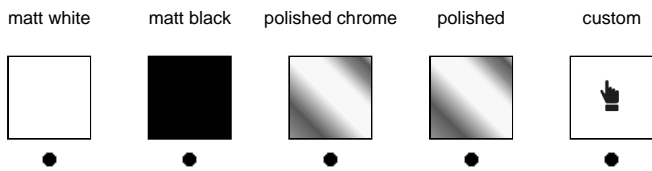
year: **2012**  
code: **0690302A00601**  
type: **hanging lamp**  
application: **indoor**

## Available variants

### Colour temperature



### Structure finish



### Ceiling Mount

